



# Illustrated Parts List

## Model Series

# 402500

TYPE NUMBERS  
0025 through 0365.

### TABLE OF CONTENTS

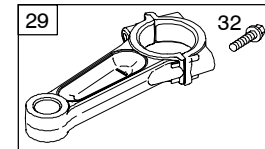
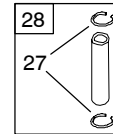
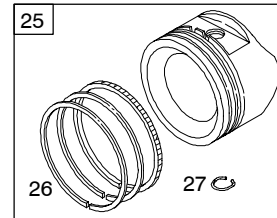
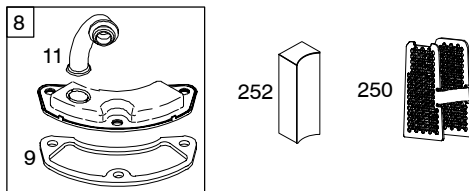
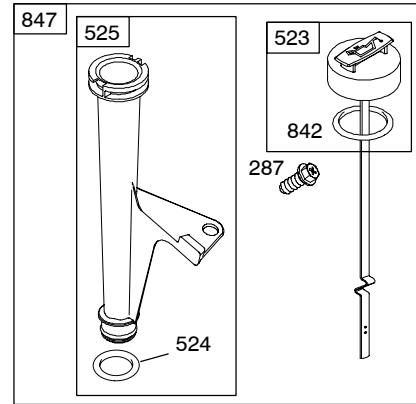
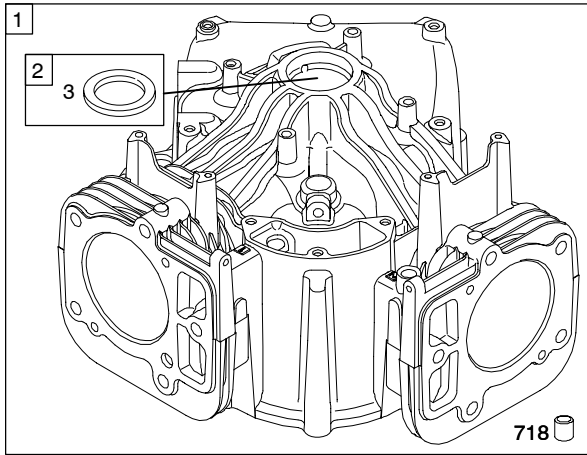
<b>Air Cleaner</b> .....	5
<b>Alternator</b> .....	7
<b>Blower Housing</b> .....	5
<b>Camshaft</b> .....	2
<b>Carburetor</b> .....	4
<b>Controls</b> .....	6
<b>Crankshaft</b> .....	2
<b>Cylinder</b> .....	2
<b>Cylinder Head</b> .....	3
<b>Electric Starter</b> .....	6
<b>Engine Sump</b> .....	2
<b>Flywheel</b> .....	6
<b>Fuel Supply</b> .....	4
<b>Gasket Set - Engine</b> .....	4
<b>Gasket Set - Valve</b> .....	4
<b>Governor Spring</b> .....	6
<b>Ignition</b> .....	7
<b>Intake Manifold</b> .....	3
<b>Kit - Carburetor Overhaul</b> .....	4
<b>Lubrication</b> .....	2
<b>Piston, Rings, Connecting Rod</b> .....	2
<b>Valves</b> .....	3

PRINTED IN U.S.A.

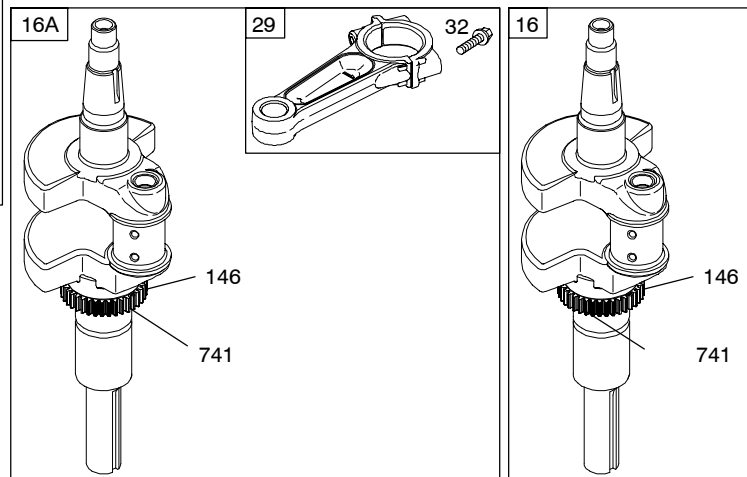
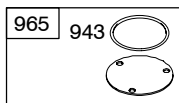
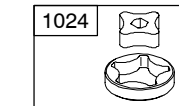
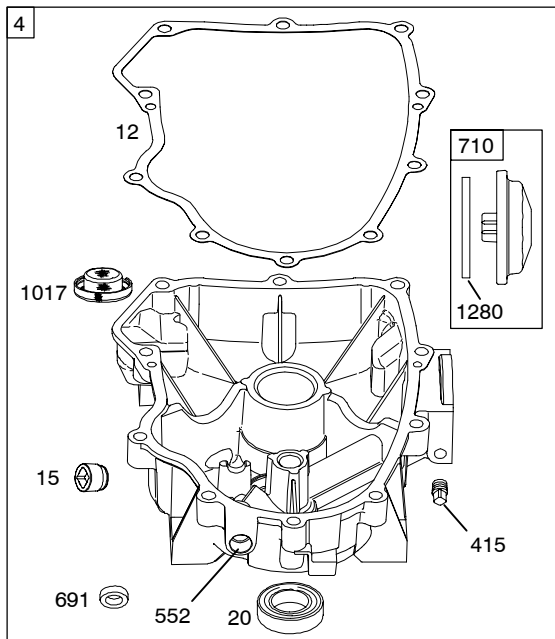


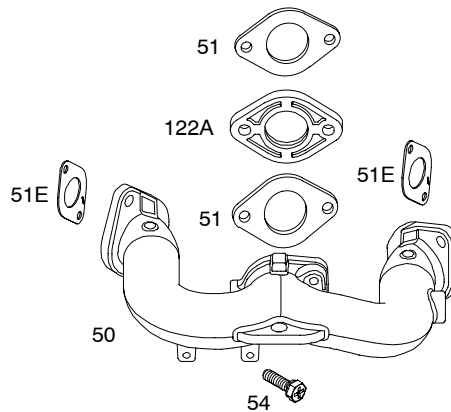
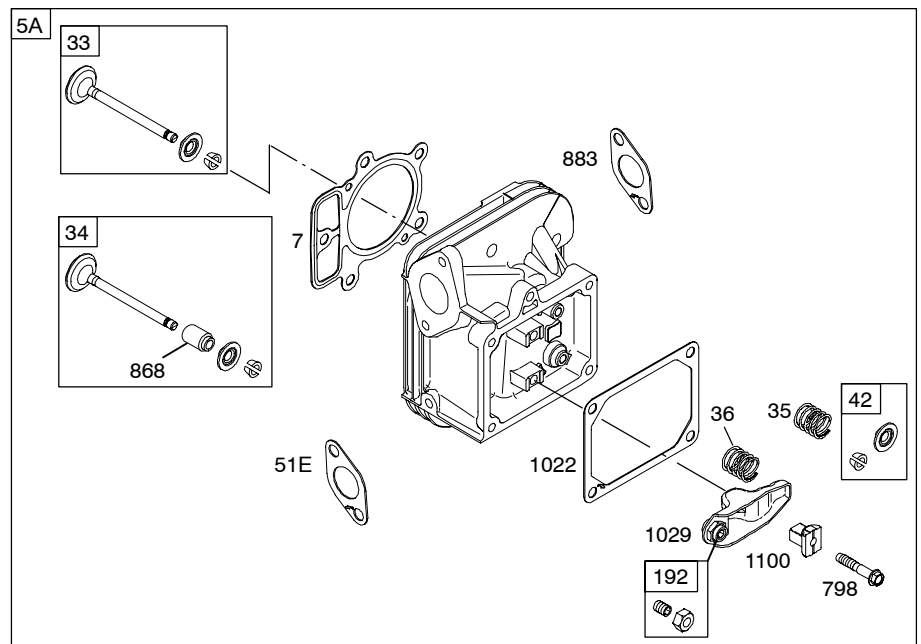
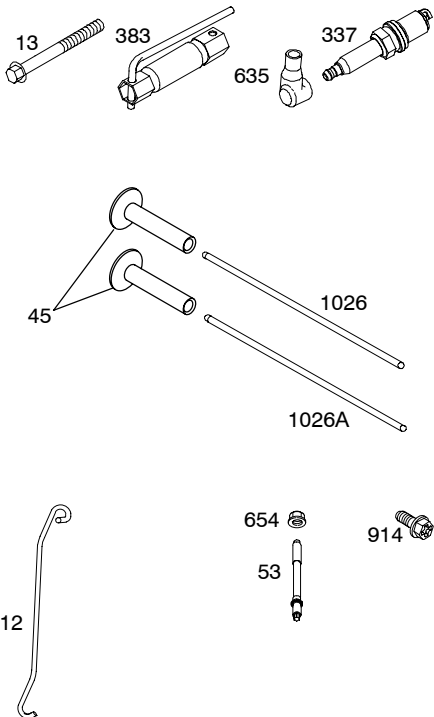
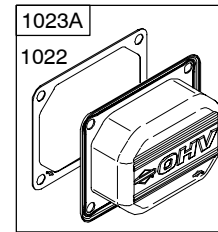
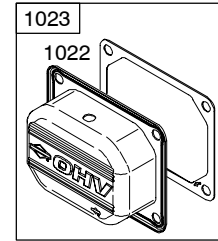
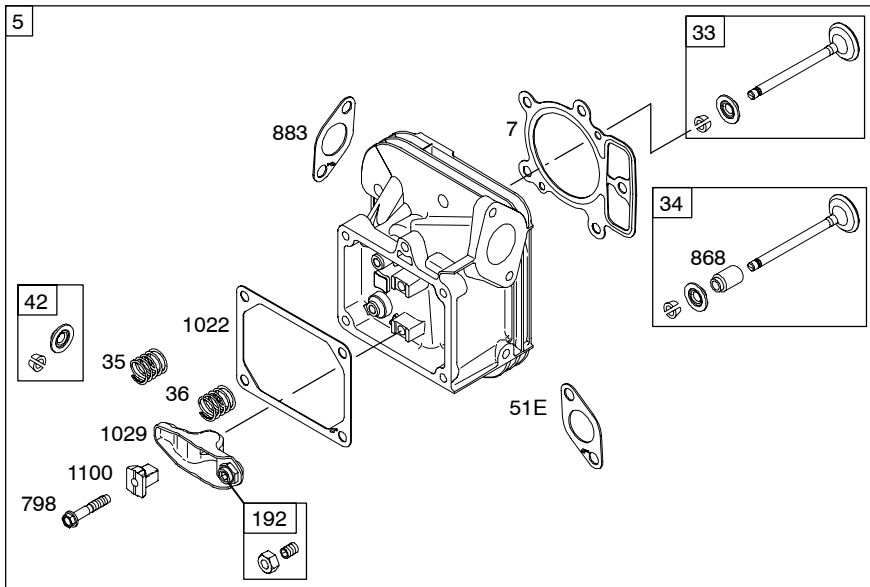
COPYRIGHT by BRIGGS & STRATTON CORPORATION  
All rights reserved. No part of this material may be reproduced or transmitted, in any form or by any means, electronic or mechanical, including photocopying, recording or by any information storage and retrieval system, without permission in writing from Briggs & Stratton Corporation.

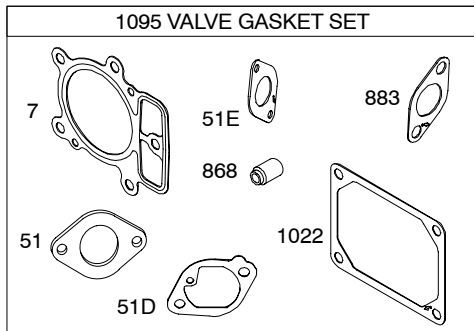
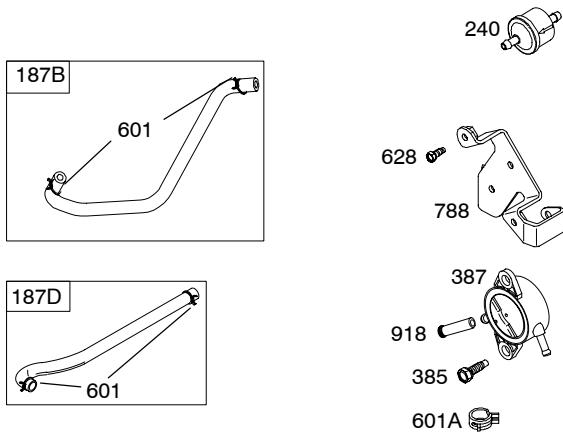
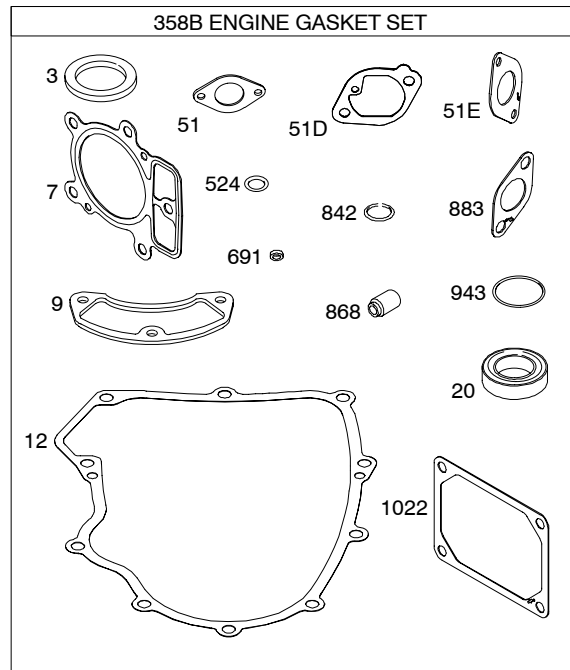
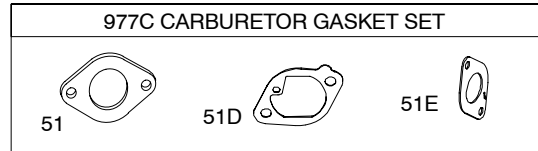
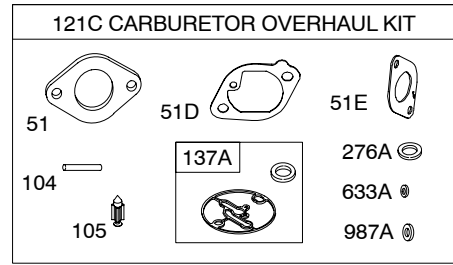
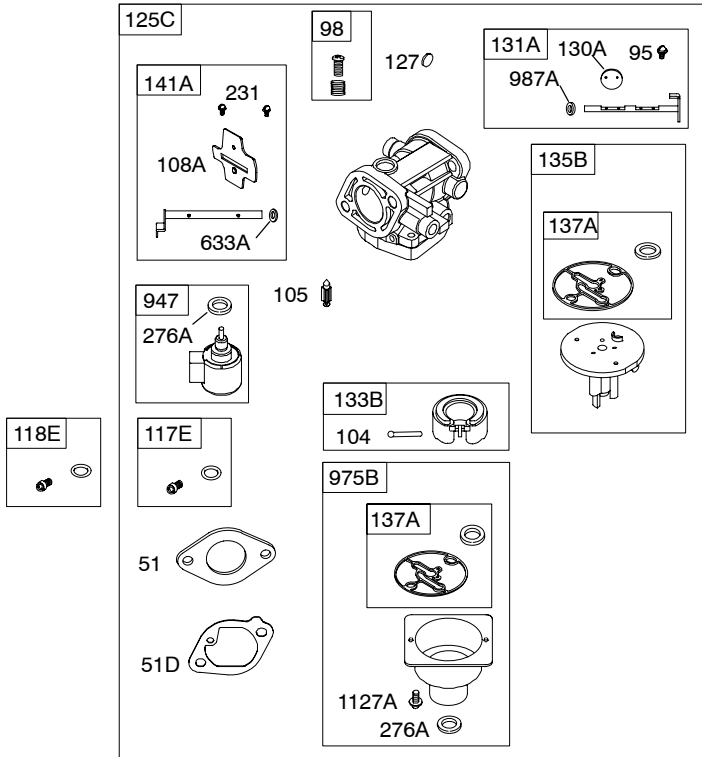
# 402500



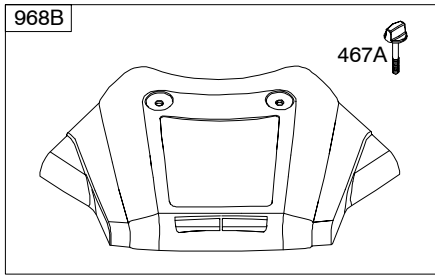
1058 OPERATOR'S MANUAL  
1330 REPAIR MANUAL



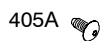
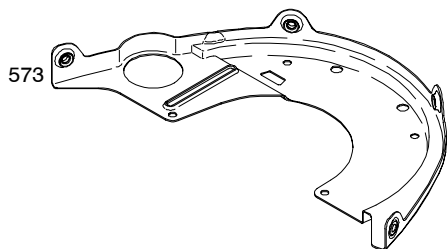
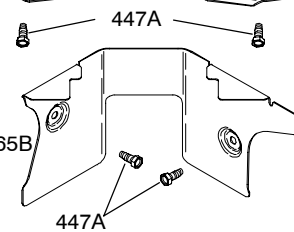
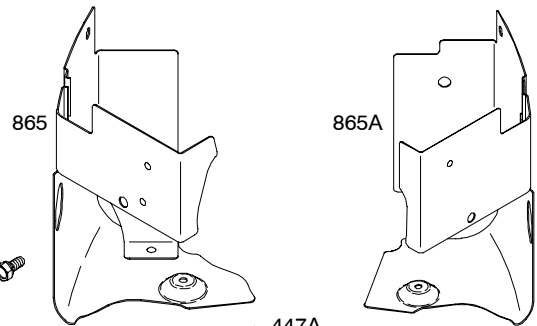
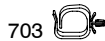
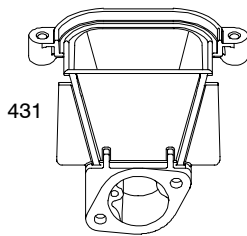
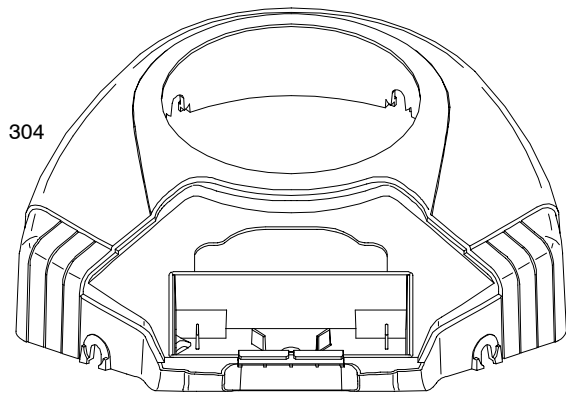
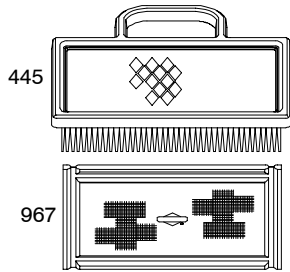


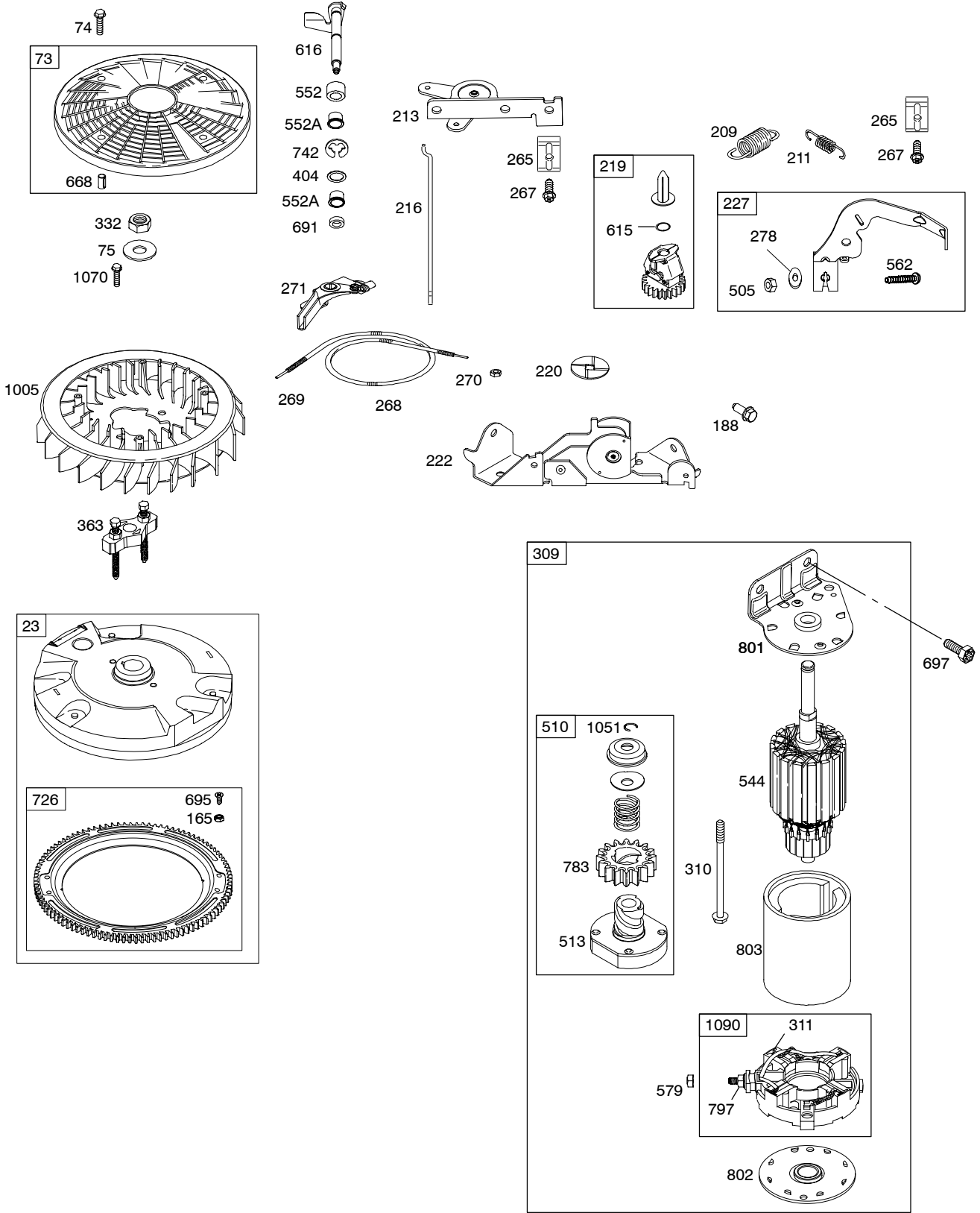


Illustrations cover a range of engines. Parts shown without corresponding text may not be used on your specific engine.

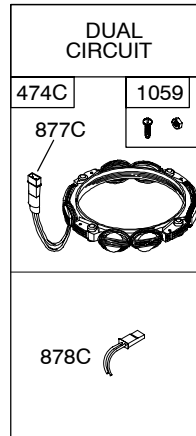



1036 EMISSIONS LABEL



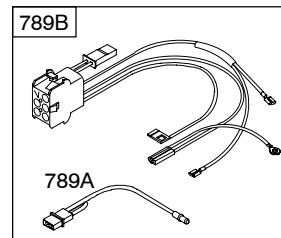


Illustrations cover a range of engines. Parts shown without corresponding text may not be used on your specific engine.

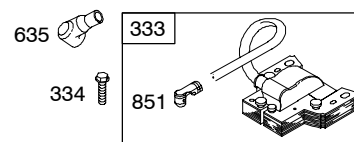


**NOTE:** All stators use a No. 1119 mounting screw. 

**NOTE:** The proper flywheel part number and/or the alternator magnet size will determine the alternator type or output. See repair instruction manual for additional information.



1119 



# 402500

REF. NO.	PART NO.	DESCRIPTION	REF. NO.	PART NO.	DESCRIPTION	REF. NO.	PART NO.	DESCRIPTION
1	699751	Cylinder Assembly	29	699699	Rod-Connecting (Used After Code Date 04010800).	118E	699820	Jet-Main (High Altitude)
2	499585	Kit-Bushing/Seal (Magneto Side)				121C	699814	Kit-Carburetor Overhaul
3	★391086s	Seal-Oil (Magneto Side)			----- <b>Note</b> ----- (Used Before Code Date 04010900).	122A	699802	Spacer-Carburetor
4	699747	Sump-Engine			(For Replacement Rod See Ref 16A)	125C	699807	Carburetor
5	792299	Head-Cylinder (Cylinder #1)				127	698810	Plug-Welch
5A	792300	Head-Cylinder (Cylinder #2)	32	690976	Screw (Connecting Rod)	130A	699809	Valve-Throttle
7	★Δ690962	Gasket-Cylinder Head	33	499596	Valve-Exhaust	131A	699812	Kit-Throttle Shaft
8	792185	Breather Assembly	34	792200	Valve-Intake	133B	694914	Float-Carburetor
9	★690937	Gasket-Breather	35	694865	Spring-Valve (Intake)	135B	792022	Tube-Fuel Transfer
10	691108	Screw (Breather Assembly)	36	694865	Spring-Valve (Exhaust)	137A	●698781	Gasket-Float Bowl
11	792184	Tube-Breather	42	499586	Keeper-Valve	141A	699811	Kit-Choke Shaft
12	★697227	Gasket-Crankcase	45	690977	Tappet-Valve	146	690979	Key-Timing
13	791130	Screw (Cylinder Head)	46	790562	Camshaft	165	693148	Nut (Ring Gear)
15	691680	Plug-Oil Drain (3/8" Standard)	50A	699801	Manifold-Intake	187B	791872	Line-Fuel (Formed Hose)
16	699700	Crankshaft (Used After Code Date 04010800).	51★●◆Δ699803	Gasket-Intake	187D	791744	Line-Fuel (Formed)(Cut to Required Length)	
16A	699701	Crankshaft (Used Before Code Date 04010900).	51D★●◆Δ699800	Gasket-Intake	188	691003	Screw (Control Bracket)	
20	★690947	Seal-Oil (PTO Side)	51E★●◆Δ690949	Gasket-Intake	192	690083	Adjuster-Rocker Arm	
22	694966	Screw (Crankcase Cover/ Sump)	53	690951	Stud (Carburetor)	209	692909	Spring-Governor (Yellow)
23	691054	Flywheel	54	699816	Screw (Intake Manifold)	211	691019	Spring-Governed Idle
24	222698s	Key-Flywheel (.020" Oversize)			(Used After Code Date 04110400).	212	699805	Link-Throttle
25	499588	Piston Assembly (Standard)			----- <b>Note</b> ----- 695240 Screw (Intake Manifold)	212B	792265	Link-Throttle
		----- <b>Note</b> ----- 499590 Piston Assembly (.020" Oversize)	73	494439	Screen-Rotating	213	691021	Bracket-Choke Control
		----- <b>Note</b> ----- 499606 Ring Set (.020" Oversize)	74	698425	Screw (Rotating Screen)	216	691022	Link-Choke
26	499604	Ring Set (Standard)	75	691056	Washer (Flywheel)	219	698231	Gear-Governor
		----- <b>Note</b> ----- 499606 Ring Set (.020" Oversize)	95	690718	Screw	220	690412	Washer (Governor Gear)
27	690975	Lock-Piston Pin	98	699721	Kit-Idle Speed	222	698761	Bracket-Control
28	690229	Pin-Piston (Standard)	104	●694918	Pin-Float Hinge	227	792492	Lever-Governor Control
			105	●698537	Valve-Float Needle	231	690718	Screw(Choke Valve) (Choke Valve)
			108A	699808	Valve-Choke	240	691035	Filter-Fuel
			117E	791406	Jet-Main (Standard)	250	690957	Retainer-Breather
						252	690956	Collector-Oil
						265	691024	Clamp-Casing
						267	695134	Screw (Casing Clamp)
						268	691025	Casing-Control Wire (Cut to Required Length)

★ Included in Engine Gasket Set-Ref. No.358B.  
● Included in Carburetor Overhaul Kit-Ref. No. 121C.

◆ Included in Carburetor Gasket Set-Ref. No. 977C.  
Δ Included in Valve Gasket Set-Ref. No 1095.

*Illustrations cover a range of engines. Parts shown without corresponding text may not be used on your specific engine.*



REF. NO.	PART NO.	DESCRIPTION	REF. NO.	PART NO.	DESCRIPTION	REF. NO.	PART NO.	DESCRIPTION
269	691026	Wire-Control (Cut to Required Length)	474C	696459	Alternator (Dual Circuit)	726	499612	Gear-Ring
270	691027	Nut (Control Wire Casing)	505	691029	Nut (Governor Control Lever)	741	690980	Gear-Timing
271	691028	Lever-Control	510	696541	Drive-Starter	742	690328	Retainer-E Ring
276A	●695410	Washer-Sealing	513	692024	Clutch-Drive	750	696999	Screw (Oil Pump Cover)
278	792651	Washer (Governor Control Lever)	523	691036	Dipstick	783	695708	Gear-Pinion
287	691108	Screw (Dipstick Tube)	524	★691032	Seal-Dipstick Tube	788	691039	Bracket-Fuel Pump
304	790688	Housing-Blower (Black)	525	691037	Tube-Dipstick	789A	790544	Harness-Wiring
305	691005	Screw (Blower Housing)	544		Armature-Starter (Service with 497595 Starter Motor)	789B	698330	Harness-Wiring (6 Pin Customer Conversion)
305A	698336	Screw (Blower Housing)	552	690552	Bushing-Governor Crank	797	693167	Nut (Brush Retainer)
309	497595	Motor-Starter	552A	690553	Bushing-Governor Crank	798	697890	Screw (Rocker Arm)
310	690323	Bolt (Starter Motor)	562	690311	Bolt (Governor Control Lever)	801	691283	Cap-Drive
311	497608	Brush Set	573	790444	Plate-Back	802	691286	Cap-End
332	691059	Nut (Flywheel)	579	691029	Nut (Starter Cable)	803		Housing-Starter (Service with 497595 Starter Motor)
333	691060	Armature-Magneto	601	791850	Clamp-Hose (Green)	842	★691031	Seal-O Ring (Dipstick)
334	691061	Screw (Magneto Armature)	601A	691038	Clamp-Hose (Black)	847	499602	Dipstick/Tube Assembly
337	491055s	Plug-Spark	615	698290	Shaft-Governor Retainer	851	493880s	Terminal-Spark Plug
358B	699823	Gasket Set-Engine	616	691045	Crank-Governor (Intake Manifold)	855	691012	Cover-Air Guide (Cylinder #1)
363	19203	Flywheel Puller	628	691108	Screw (Fuel Pump Bracket)	865A	691014	Cover-Air Guide (Cylinder #2)
383	19374s	Wrench-Spark Plug	633A	●695414	Seal-Choke/Throttle Shaft	865B	691015	Cover-Air Guide (Valley)
385	691108	Screw (Fuel Pump)	635	66538s	Boot-Spark Plug	868	★△690968	Seal-Valve
387	808656	Pump-Fuel	654	690958	Nut (Carburetor)	877C	393456	Wire/Connector-Alternator (Dual Circuit)
404	690442	Washer (Governor Crank)	668	691215	Spacer	878C	398661	Harness-Alternator (Dual Circuit)
405A	697820	Screw (Back Plate) (Mounting)	691	★690657	Seal-Governor Shaft	883	★△690970	Gasket-Exhaust
415	690283	Plug	695	693149	Screw (Ring Gear)	914	691127	Screw (Rocker Cover)
431	699806	Elbow-Intake	697	690372	Screw (Drive Cap)	918	694000	Hose-Vacuum
445	499486s	Filter-Air Cleaner Cartridge	703	691010	Clip	943	★690589	Seal-O Ring (Oil Pump Cover)
447	691003	Screw (Air Guide Cover)	710	697474	Cover-Oil Filter	947	699728	Solenoid-Fuel
447A	691108	Screw (Air Guide Cover)	718	690959	Pin-Locating	965	499613	Cover-Oil Pump
467A	691008	Screw (Air Filter Cover)				967	273638s	Filter-Pre Cleaner
						968B	790095	Cover-Air Cleaner

★ Included in Engine Gasket Set-Ref. No.358B.  
● Included in Carburetor Overhaul Kit-Ref. No. 121C.

◆ Included in Carburetor Gasket Set-Ref. No. 977C.  
△ Included in Valve Gasket Set-Ref. No 1095.

*Illustrations cover a range of engines. Parts shown without corresponding text may not be used on your specific engine.*

# 402500

REF. NO.	PART NO.	DESCRIPTION	REF. NO.	PART NO.	DESCRIPTION	REF. NO.	PART NO.	DESCRIPTION
975B	699502	Bowl-Float	1023	499599	Cover-Rocker Arm (Cylinder #1)	1051	691265	Ring-Retaining
977C	699815	Gasket Set-Carburetor				1058	276245	Operator's Manual
987A	●699813	Seal-Throttle Shaft	1023A	499600	Cover-Rocker Arm (Cylinder #2)	1059	698516	Kit-Screw/Washer
1005	499603	Fan-Flywheel (Used After Code Date 04071900).	1024	499054	Pump-Oil	1070	690372	Screw (Fan Retainer)
		----- <b>Note</b> -----	1026	690981	Rod-Push (Steel)	1090	691293	Retainer-Brush
		790698 Fan-Flywheel (Used Before Code Date 04072000).	1026A	690982	Rod-Push (Aluminum)	1095	699822	Gasket Set-Valve
1017	690770	Screen-Oil Pump	1029	690972	Arm-Rocker	1100	791959	Pivot-Rocker Arm
1022	★△690971	Gasket-Rocker Cover	1035	691042	Shaft-Pump	1119	691183	Screw (Alternator)
			1036		Label-Emissions (Available from an Authorized Briggs and Stratton Service Dealer.)	1127A	695407	Screw (Float Bowl)
						1280	697475	Seal-O Ring (Oil Filter Cover)
						1330	273521	Manual-Repair

★ Included in Engine Gasket Set-Ref. No.358B.  
 ● Included in Carburetor Overhaul Kit-Ref. No. 121C.

◆ Included in Carburetor Gasket Set-Ref. No. 977C.  
 △ Included in Valve Gasket Set-Ref. No 1095.

*Illustrations cover a range of engines. Parts shown without corresponding text may not be used on your specific engine.*